

IS 345

DALI-2 APC - surface, rd.
 EAN 4007841 033859
 Article number 033859



infrared sensor
360°



max. 20 x 4 m



IP54



2 - 1000 lux



5 sec - 15 min



manual override



ideal 2,5 - 5 m

Teach

Teach mode



energy saving

5 years

manufacturer's
warranty steinel-
professional.de/
garantie

Function description

Huge reach. Infrared motion detector IS 345 for indoors and out, ideal for passageways, corridors and commonly used spaces, installation height 5 m, detection zone 12 x 6 m (radial) and 23 x 6 m (tangential), large terminal compartment for easy installation. Available either in round or square surface-mounted and concealed version.

Technical specifications

Dimensions (Ø x H)	126 x 65 mm	Optimum mounting height	2,8 m
Manufacturer's Warranty	5 years	Detection angle	Aisle, 360 °
Settings via	Remote control, Potentiometers, Smart Remote	Angle of aperture	45 °
With remote control	No	Sneak-by guard	Yes
Version	DALI-2 APC - surface, rd.	Capability of masking out individual segments	Yes
PU1, EAN	4007841033859	Electronic scalability	No
Type	Motion detectors	Mechanical scalability	No
Application, place	Outdoors, Indoors	Reach, radial	12 x 6 m (72 m ²)
Application, room	corridor / aisle, multi-storey / underground car park, outdoors, Indoors	Reach, tangential	23 x 6 m (138 m ²)
Colour	white	Switching zones	280 switching zones
Colour, RAL	9003	Functions	Normal / test mode, Manual ON / ON-OFF, Constant-lighting control ON-OFF
Includes corner wall mount	No	Twilight setting	2 – 1000 lx
Installation site	ceiling	Time setting	5 s – 15 Min.
Installation	Surface wiring, Ceiling	Basic light level function	Yes
IP-rating	IP54	Basic light level function time	1-30 min, all night

IS 345

DALI-2 APC - surface, rd.
EAN 4007841 033859
Article number 033859



Technical specifications

Ambient temperature	from -20 up to 50 °C	Main light adjustable	50 - 100 %
Material	Plastic	Twilight setting TEACH	Yes
Mains power supply	220 – 240 V / 50 – 60 Hz	Constant-lighting control	Yes
Steuerausgang, Dali	Broadcast 1x30 electronic ballasts	Interconnection	Yes
Technology, sensors	passive infrared, Light sensor	Type of interconnection	Master/slave
Mounting height	2,50 – 5,00 m	Interconnection via	Cable
Mounting height max.	5,00 m	Product category	Motion detector

Accessories

EAN 4007841 009151	Remote control Smart Remote
EAN 4007841 592806	User remote control RC5
EAN 4007841 559410	Service remote control RC8
EAN 4007841 056735	Black cover for IR-sensors

IS 345

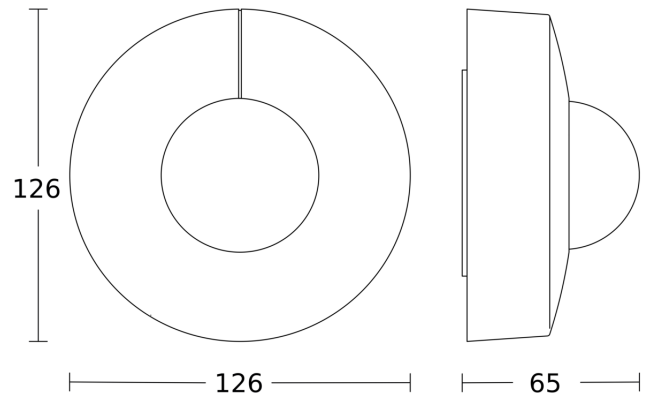
DALI-2 APC - surface, rd.
 EAN 4007841 033859
 Article number 033859

Detection Zone

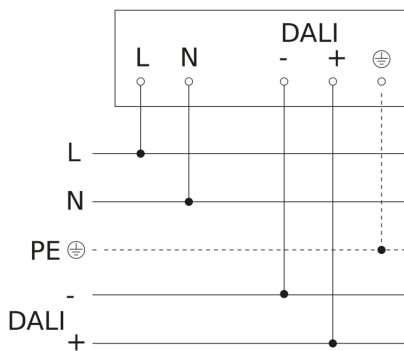


Possible mounting height: 2,50 m - 5,00 m
 Orange: radial
 Black: tangential

Dimension Drawing



Master circuit diagram



Circuit diagram for interconnecting DALI-2 APC with DALI-2 IPD

